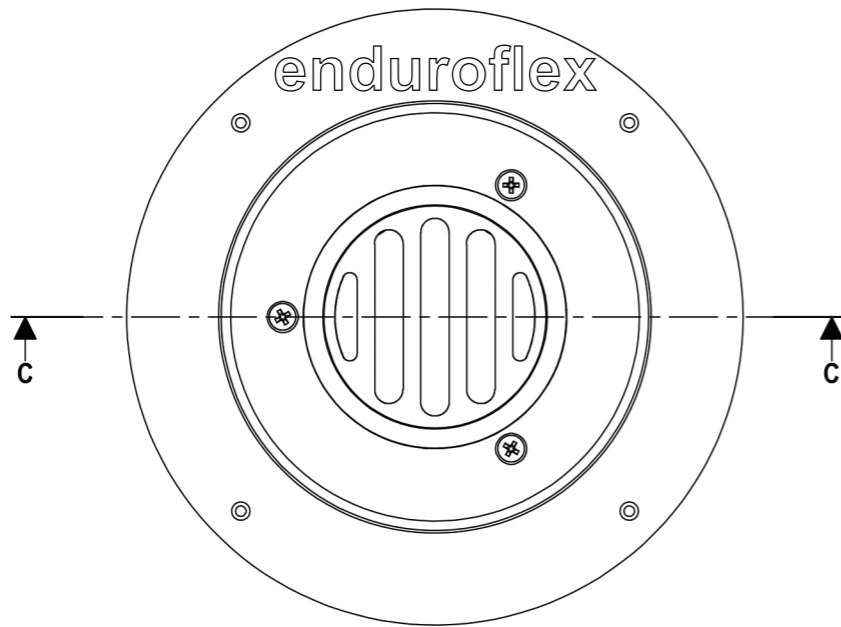
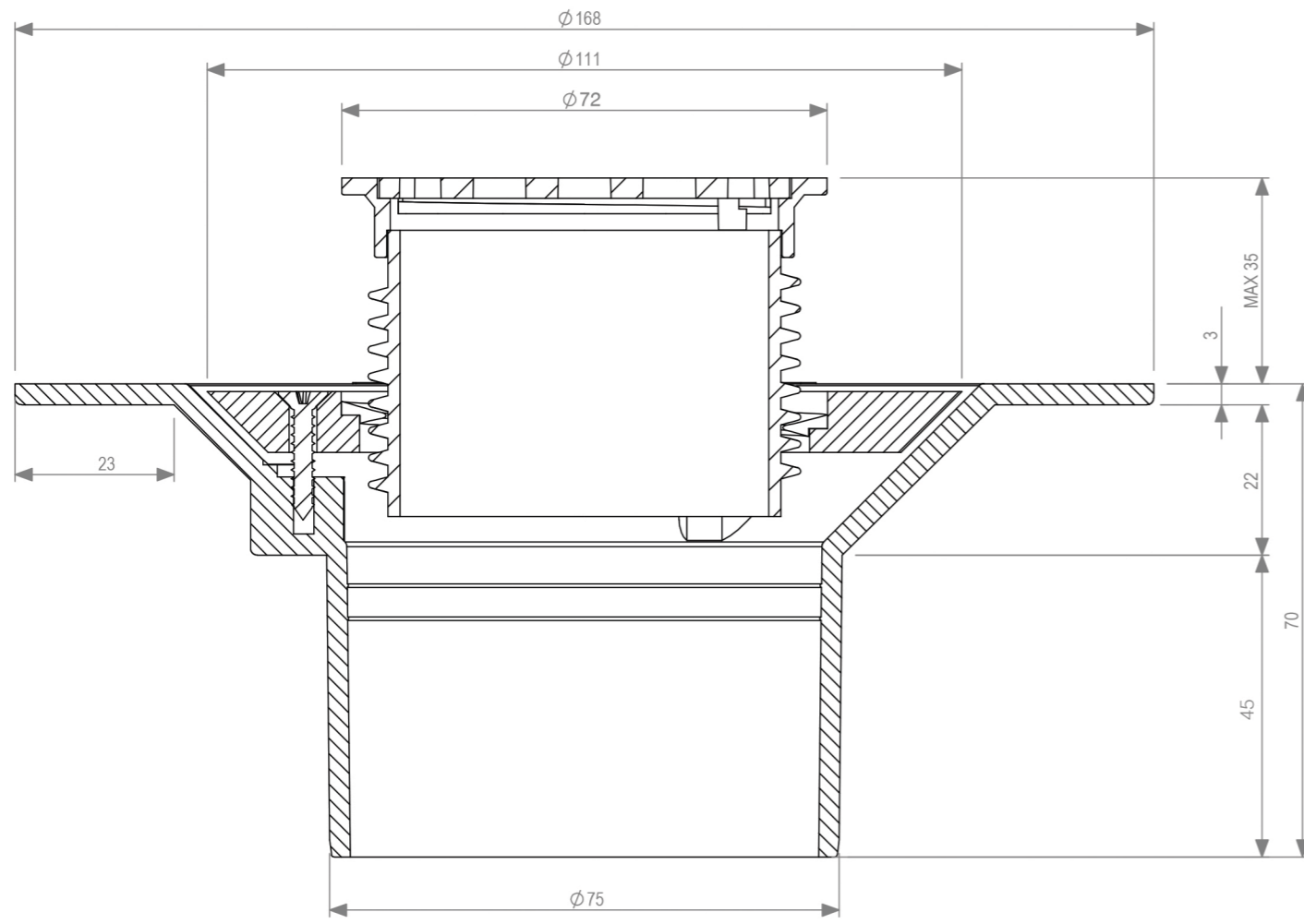


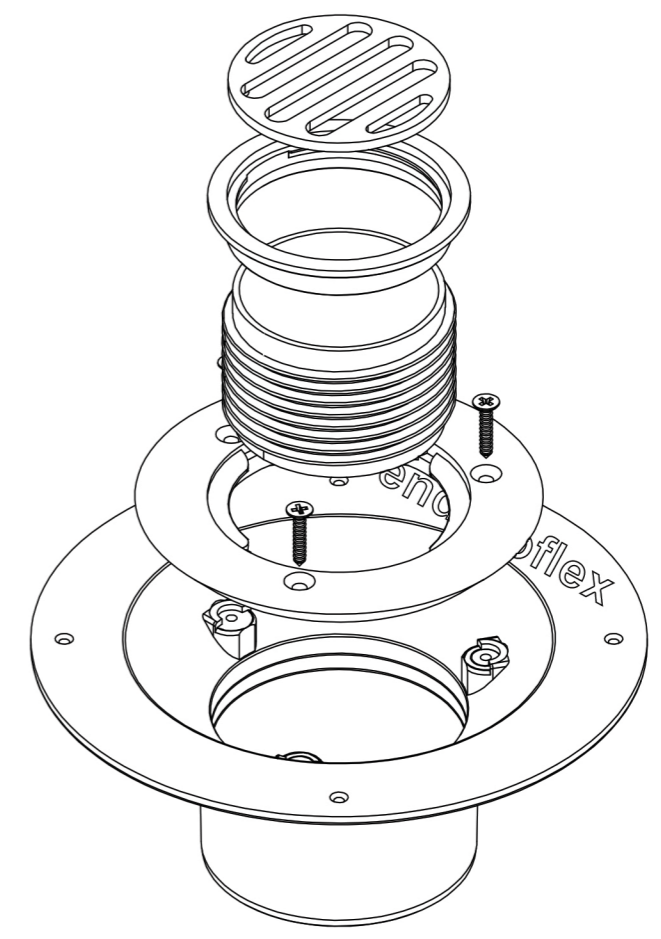
DESCRIPTION	
CODE	FINISH
TR80RC	CHROME ON BRASS



TOP VIEW



SECTION C-C
SCALE 1:1



EXPLODED VIEW

16/5 Ponderosa Parade, Warriewood NSW 2102
1300 105 488 | sales@enduroflex.com.au | www.enduroflex.com.au

REVISIONS	CHANGES	DRAWN	DATE	DO NOT SCALE DRAWING		TITLE
				REQUESTED K.A	DATE MARCH 2014	80MM TILERITE PVC BASE, CYCLONE CLAMP RING AND ROUND CHROME GRATE
				DRAWN S.L.	DATE MARCH 2014	
				APPROVED	DATE	APPLICABLE STANDARD(S):
XXX	XXX	S.L.	XXX	MATERIAL		PART NUMBER
TOOL NUMBER				PVC		TR80RC
PART WEIGHT(GRAMS)				A3		SCALE 1:2 (UOS)
FILE				UNITS = MM		SHEET 1 OF 1
S/CAD FILES/2014/DIVERSE/TR80RC				G		H

DISCLAIMER : THE DESIGN SUGGESTION IS PROVIDED FOR EVALUATION PURPOSES ONLY.
IT IS NOT TO BE CONSIDERED A FULL DESIGN AS WE ARE NOT THE CONSULTING ENGINEERS, WE ARE MANUFACTURERS. WE ARE NOT PRIVY TO ALL THE INFORMATION PERTAINING TO THIS MATTER AND WE HAVE NO CONTROL OVER THE PROJECT. INSTALLATION OF THE PRODUCT, THE DESIGN SUGGESTION IS PROVIDED WITHOUT OBLIGATION. DESIGN IS TO BE CONFIRMED AND APPROVED BY THE ARCHITECT, HYDRAULICS ENGINEER, OR PROJECT MANAGER. ACCURATE MEASUREMENTS SHOULD BE CONFIRMED BY THE PERSON APPROVING THE DESIGN. ALLPROOF ACCEPTS NO LIABILITY FOR THE IMPROPER USE OF THE DESIGN SUGGESTION.